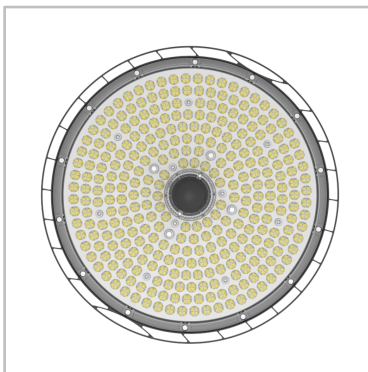


B-Series



KEY ADVANTAGES

- Anti-Glare, Enhanced Visual Comfort
- Power & CCT Selectable, catering to different lighting needs
- Wattage from 100W to 240W optional, suitable for diverse lighting applications
- Remarkable Heat Dissipation(TA 50°), ensures stable performance
- Min UGR, Comfortable Illumination, provides a more comfortable and softer lighting experience
- ROI thanks to long life span and reduced maintenance

TYPES OF APPLICATION

- CAR PARKS
- LARGE AREAS
- INDUSTRIAL HALLS & WAREHOUSES
- SPORT FACILITIES



CAR PARKS



LARGE AREAS



INDUSTRIAL HALLS & WAREHOUSES



SPORT FACILITIES



B-SERIES | CHARACTERISTICS

GENERAL INFORMATION

Driver included	Yes
CE mark	Yes
RoHS compliant	Yes
Safety features	Open circuit protection Short circuit protection Overvoltage protection
Testing standard	LM-79-19(all measurements in ISO17025 accredited laboratory)

HOUSING AND FINISH

Housing	Aluminium
Optic	Polycarbonate
Protector	Polycarbonate (with integrated lenses)
Housing finish	Electrostatic polyester powder coating
Standard colour(s)	RAL 9017 black
Tightness level	IP 65
Impact resistance	IK 09

OPERATING CONDITIONS

Operating temperature range (Ta)	-30°C to + 50°C
Operating Humidity	10-90%RH
Mounting Option	Loop Hanging Bracket Mounting
Warranty	5 years

PERFORMANCE

Power	100W/150W/200W/240W
Efficacy	210lm/W,190lm/W,170lm/W,150lm/W
Power Efficiency	≥93%
Start Time	≤0.2S
Warm-up time to 60%	0.5S

ELECTRICAL INFORMATION

Electrical class	Class I EU
Nominal voltage	120-277V 50/60Hz
Power factor (at full load)	0.9
Surge protection options (kV)	6KV-Line-Line 6KV-Line-Earth
Electromagnetic compatibility (EMC)	EN 55015:2019/A11:2020, EN 61000 3-2:2019, EN 61000-3-3:2013, EN 61547:2009, EN 62493:2015
Control protocol(s)	1-10V, DALI2 (optional)
Emergency	Optional auxiliary battery
Total Harmonic Distortion(THD)	IEC 61000-3-2 Class C <20%
Driver Type	Constant current(CC)

For fixed Class 1 luminaires, overvoltage protective devices which comply with IEC 61643-11 shall be disconnected from the circuit.

withstand voltage	1.5KV 60S 10mA
-------------------	----------------

※Lamp switch must control L line or control L and N lines.

OPTICAL INFORMATION

LED Type	SMD2835
Beam Angle	90°
Recommended installation height	4m to 12m
Color Tolerance	Ra70 ≤7 Ra80 ≤5
LED colour temperature	3000K / 4000K / 5000K / 5700K / 6500K
Colour rendering index (CRI)	CRI>70 standard CRI>80 optional
Upward Light Output Ratio (ULOR)	0%

※Ra measurement tolerance is ±2.

LIFETIME OF THE LEDS @ TA 25°C

All configurations	
L70B50	>100,000h
L80B20	>50,000h
L90B10	>30,000h
Switching Cycles	>100,000 times

B-SERIES | PERFORMANCE

PREMIUM VERSION

POWER	LUMENS	EFFICACY
100W	21,000LM	210LM/W(Ra70)
	19,500LM	195LM/W(Ra80)
150W	31,500LM	210LM/W(Ra70)
	30,000LM	200LM/W(Ra80)
200W	42,000LM	210LM/W(Ra70)
	40,000LM	200LM/W(Ra80)
240W	50,400LM	210LM/W(Ra70)
	48,000LM	200LM/W(Ra80)

PRO VERSION

POWER	LUMENS	EFFICACY
100W	19,000LM	190LM/W(Ra70)
	18,000LM	180LM/W(Ra80)
150W	28,500LM	190LM/W(Ra70)
	27,000LM	180LM/W(Ra80)
200W	38,000LM	190LM/W(Ra70)
	36,000LM	180LM/W(Ra80)
240W	45,600LM	190LM/W(Ra70)
	43,200LM	180LM/W(Ra80)

STANDARD VERSION

POWER	LUMENS	EFFICACY
100W	17,000LM	170LM/W(Ra70)
	15,700LM	157LM/W(Ra80)
150W	25,500LM	170LM/W(Ra70)
	24,000LM	160LM/W(Ra80)
200W	34,000LM	170LM/W(Ra70)
	32,000LM	160LM/W(Ra80)
240W	40,800LM	170LM/W(Ra70)
	38,400LM	160LM/W(Ra80)

B-SERIES | PERFORMANCE

ECO VERSION

POWER	LUMENS	EFFICACY
100W	15,000LM	150LM/W(Ra70)
	14,000LM	140LM/W(Ra80)
150W	22,500LM	150LM/W(Ra70)
	21,000LM	140LM/W(Ra80)
200W	30,000LM	150LM/W(Ra70)
	28,000LM	140LM/W(Ra80)
240W	36,000LM	150LM/W(Ra70)
	33,600LM	140LM/W(Ra80)

※The Performance Data is tested base on 230VAC, 90° and 4000K for all versions
 ※Power Consumption Tolerance ±5% (Apply to all versions)
 ※Lumen Efficiency Tolerance ±5% (Apply to all versions)

EGGSHELL PACKAGING

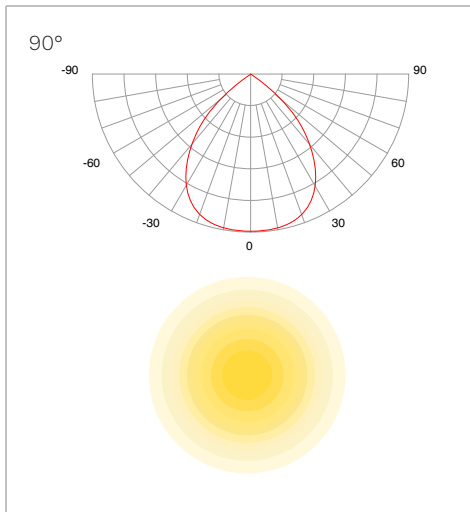
POWER	PACKAGE SIZE	QTY/CTN	SINGLE PIECE VOLUME	NET WEIGHT	GROSS WEIGHT	20GP	40HQ
100W	L355*W355*H185mm	1PCS/CTN	0.0233m ³	/	/	1115pcs	2831pcs
150W	L385*W385*H185mm	1PCS/CTN	0.0274m ³	/	/	948pcs	2407pcs
200W	L465*W465*H185mm	1PCS/CTN	0.0400m ³	/	/	650pcs	1650pcs
240W	L465*W465*H185mm	1PCS/CTN	0.0400m ³	/	/	650pcs	1650pcs

PALLET PACKAGING

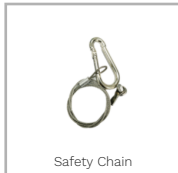
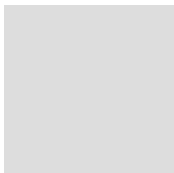
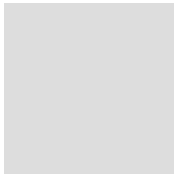
POWER	PALLET SIZE	QTY/CTN	TOTAL	CONTAINER SIZE	PALLET QTY	TOTAL
100W	L1100*W1100*H1975mm	1PCS/CTN	108PCS	L5500*W2200*H1975mm	10	1080PCS
150W	L1100*W1100*H1975mm	1PCS/CTN	102PCS	L5500*W2200*H1975mm	10	1020PCS
200W	L1100*W1100*H1975mm	1PCS/CTN	64PCS	L5500*W2200*H1975mm	10	640PCS
240W	L1100*W1100*H1975mm	1PCS/CTN	64PCS	L5500*W2200*H1975mm	10	640PCS

B-SERIES | OPTICS AND ACCESSORIES

LIGHT DISTRIBUTIONS



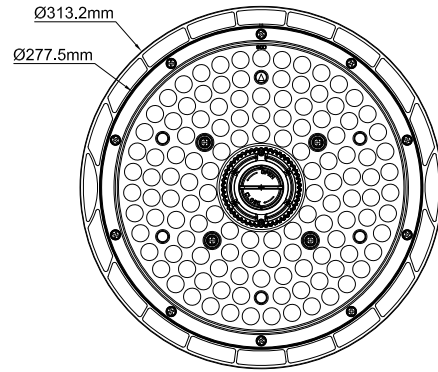
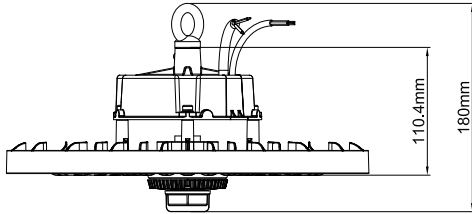
OPTIONAL



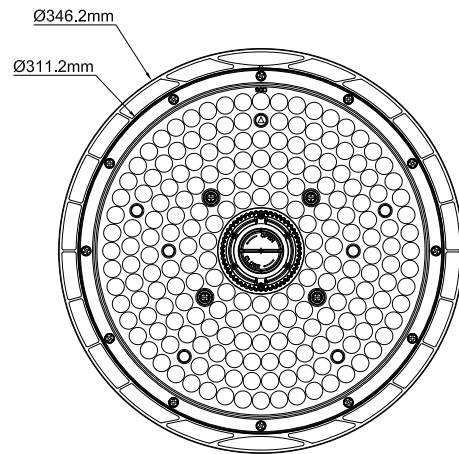
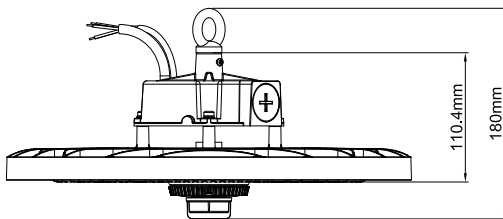
B-SERIES | DRAWING

⚠ Connecting the cable requires an IP65 Tightness level

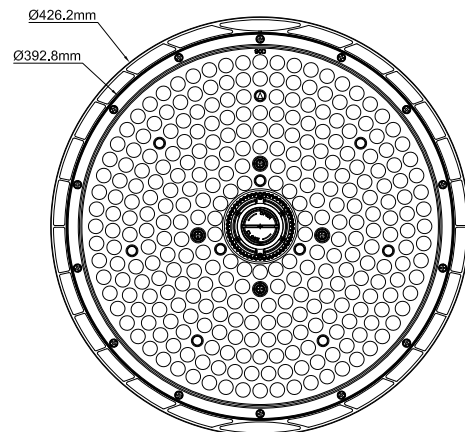
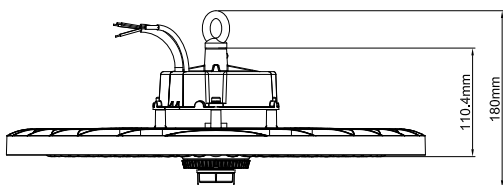
100W



150W



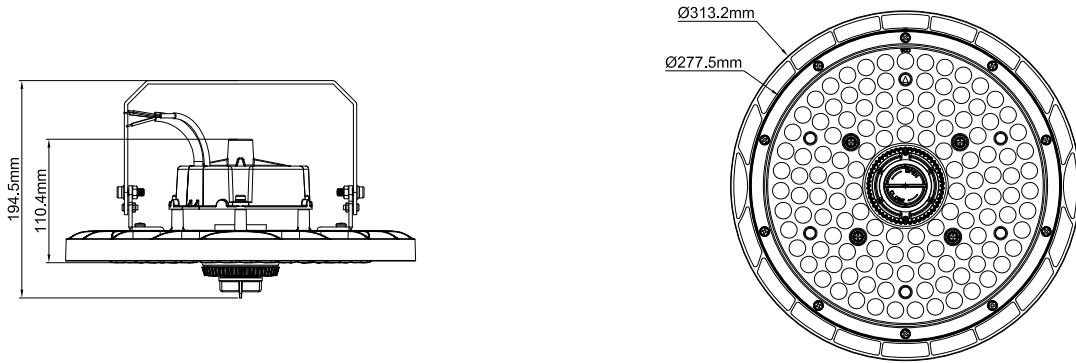
200W



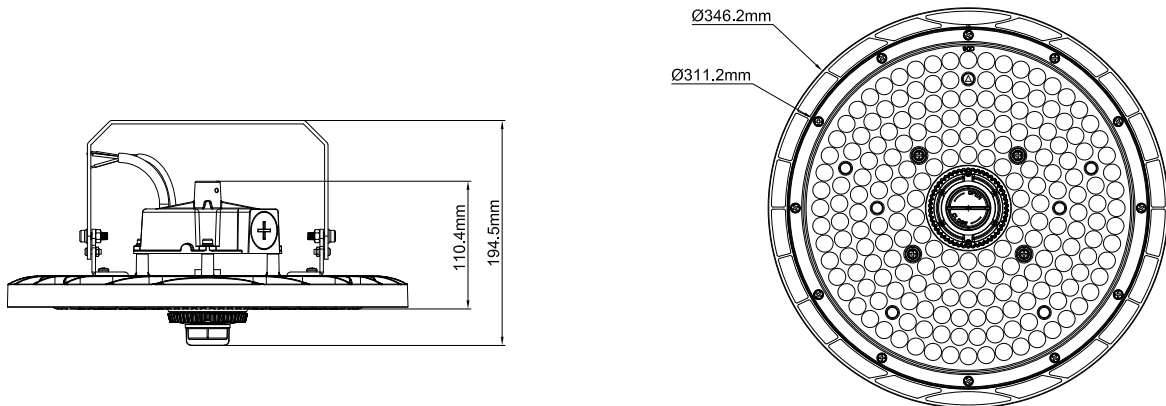
B-SERIES | DRAWING

⚠ Connecting the cable requires an IP65 Tightness level

100W



150W



200W

